

# McNeilus

## TAG AXLE REAR LOADER



**With a tag axle built right into the tailgate, carry optimal payloads while complying with weight laws.**

- The only rear loader with the tag axle built into the tailgate, providing for more carrying capacity in weight-restricted areas.
- Unique design provides long-lasting reliability and better weight distribution.
- Heavy duty pack and sweep cylinders offer the power to compact refuse at up to 1,000 pounds per cubic yard.
- Tag axle lifts with the tailgate when the payload is ejected, keeping it clear of trash.
- Top-quality, abrasion-resistant steel featured in the hopper—the highest-wear area—increasing durability.
- Optional McNeilus® Excalibre™ packing cylinders feature a hardened nitrided rods and a patented tool steel shaver that keep refuse debris out, reducing hydraulic contamination.

### PERFORMANCE SPECIFICATIONS (in seconds)\*

#### WORKING RPM @ IDLE

Dump Cycle	24-26		
Sweep Extend	5		
Sweep Retract	3		
Slide Extend	4		
Slide Retract	8		
Tailgate Open	30		
Tailgate Closed	18		
Compaction = 1,000 lb/yd			
Quick Change UHMW polyethylene slide shoes			
	25YD <sup>3</sup>	28YD <sup>3</sup>	32YD <sup>3</sup>
Ejector Extend	20	27	33
Ejector Retract	28	30	40

\*Cycle times may vary slightly

### STANDARD BODY SPECIFICATIONS

Body Floor	3/16 in. AR200
Side Walls, Front Section	10-gauge AR200
Side Walls, Rear Section	1/8 in. AR450
Roof	10-gauge AR200

### HOPPER SPECIFICATIONS

Hopper Capacity	2.8 cu yd
Hopper Floor	1/4 in. AR200
Hopper Liner (optional)	3/16 in. AR200

### PACKER/EJECTOR SPECIFICATIONS

Slide Face Plate	3/16 in. grade 50 high-strength steel
Sweep Face Plate	1/4 in. AR200
Packer Edge Strip	1/4 in. grade 50 high-strength steel

### TAILGATE SPECIFICATIONS

Tailgate Walls	3/16 in. AR200
Wear Strips	1/2 in. x 3 in. 1044 steel
Tailgate Seal Height	50 in

### OPERATIONS

Mechanical controls with integrated control panel

### HYDRAULICS

Pump	Gear or vane with pack-on-the-go flow control system
Control Valves	Primary; Parker VA35 with Smart-Pak®
Oil Reservoir	20 yd <sup>3</sup> : 40 gallon 25-32 yd <sup>3</sup> : 50 gallon
Filter	Parker 40 CN, 100 mesh suction strainer

### CYLINDERS

Ejector Cylinder	<b>25YD<sup>3</sup></b> : 7-1/2 in. bore x 7 in. rod x 119-1/2 in. stroke (4-stage) <b>28YD<sup>3</sup></b> : 7-1/2 in. bore x 7 in. rod x 138 in. stroke (4-stage) <b>32YD<sup>3</sup></b> : 8-3/4 in. bore x 8-1/4 in. rod x 163 in. stroke (5-stage)
Slide Cylinder	5 in. bore x 4 in. rod x 32-1/2 in. stroke
Sweep Cylinders	4-1/2 in. bore x 3-1/2 in. rod x 23 in. stroke
Tailgate Cylinder	3-1/2 in. bore x 3 in. rod x 42 in. stroke

### PAINTING

Packer and components steel shot blasted prior to priming with high solids epoxy primer

Finish: PPG high-performance, high solids acrylic urethane topcoat

### POPULAR OPTIONS

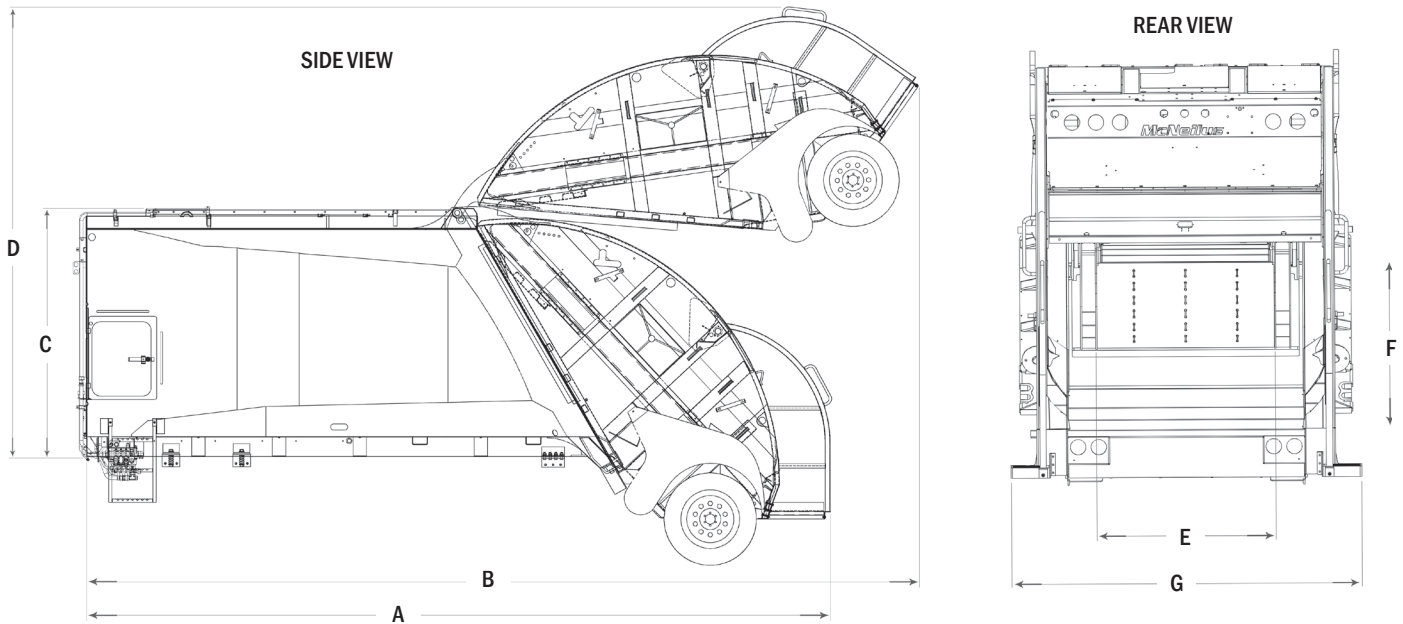
- Spool Winch or Reaving Cylinder
- Guides and Latches
- Container Lift Bar

### McNEILUS WARRANTIES

Contact your McNeilus representative on warranty details. For more information, go to [www.McNeilusGarbageTrucks.com](http://www.McNeilusGarbageTrucks.com)

# TAG AXLE REAR LOADER

- McNeilus CNG Systems and Service offers compressed natural gas systems in a variety of configurations and capacities for the Tag Axle Rear Loader.
- McNeilus partners with top equipment dealers across North America to provide best-in-class support and access to service and parts close to home.
- Proudly made in the USA.



DIMENSIONS						
DESCRIPTION	25 YD <sup>3</sup> (19.1 M <sup>3</sup> )		28 YD <sup>3</sup> (21.4 M <sup>3</sup> )		32 YD <sup>3</sup> (24.5 M <sup>3</sup> )	
(A) Overall Length, Tailgate Closed	295 in.	7493 mm	314 in.	7976 mm	339 in.	8611 mm
(B) Overall Length, Tailgate Raised	326 in.	8280 mm	345 in.	8763 mm	370 in.	9398 mm
(C) Overall Height, Tailgate Closed**	99 in.	2515 mm	99 in.	2515 mm	99 in.	2515 mm
(D) Overall Height, Tailgate Raised**	188 in.	4775 mm	188 in.	4775 mm	188 in.	4775 mm
(E) Inside Hopper Width	80 in.	2032 mm	80 in.	2032 mm	80 in.	2032 mm
(F) Hopper Opening Height	58 in.	1473 mm	58 in.	1473 mm	58 in.	1473 mm
(G) Overall Width w/steps	107 in.	2718 mm	107 in.	2718 mm	107 in.	2718 mm
Overall width w/o steps	97 in.	2464 mm	97 in.	2464 mm	97 in.	2464 mm

Note: Dimensions will change with roof/tailgate-mounted CNG options.

\*\*Dimension with no winch. Adding a spool winch or reeving cylinder winch will increase height dimension to between 100-108 inches depending on the option chosen.



We offer a complete line of aftermarket parts and services to fit all makes and models. View and purchase at [www.StreetSmartParts.com](http://www.StreetSmartParts.com) or call 888.686.7278.



Learn more at [www.McNeilusGarbageTrucks.com](http://www.McNeilusGarbageTrucks.com) | [StreetSmartParts.com](http://StreetSmartParts.com)

© 2024 McNeilus Truck and Manufacturing. McNeilus and the McNeilus logo, Street Smart Parts and the Street Smart Parts logo are trademarks of McNeilus Truck and Manufacturing, Dodge Center, MN, USA. All other designated trademarks are the property of their respective owners. Specifications, descriptions and illustrations in this brochure are accurate as shown at the time of publication, but are subject to change without notice. Illustrations may include optional equipment and accessories and may not include all standard equipment.